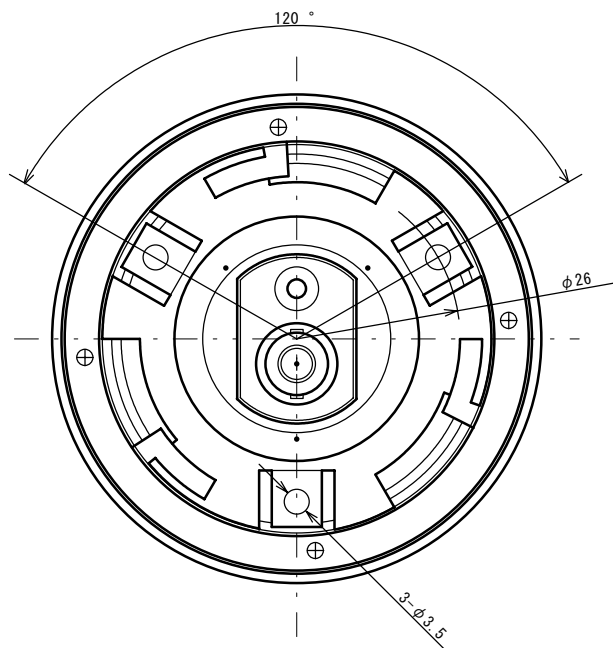
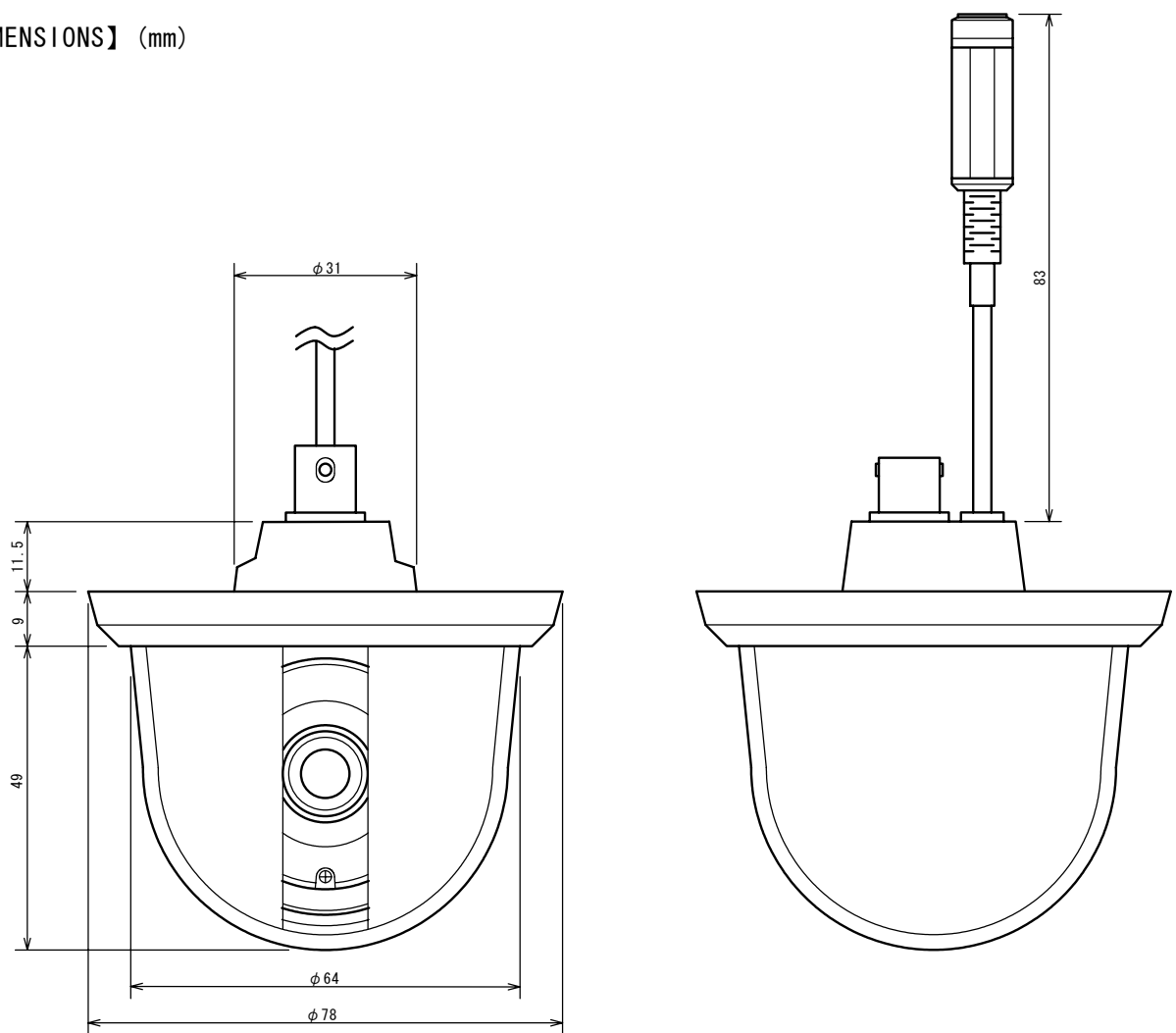


WAT-207CD C o l o r c a m e r a

【SPECIFICATIONS】

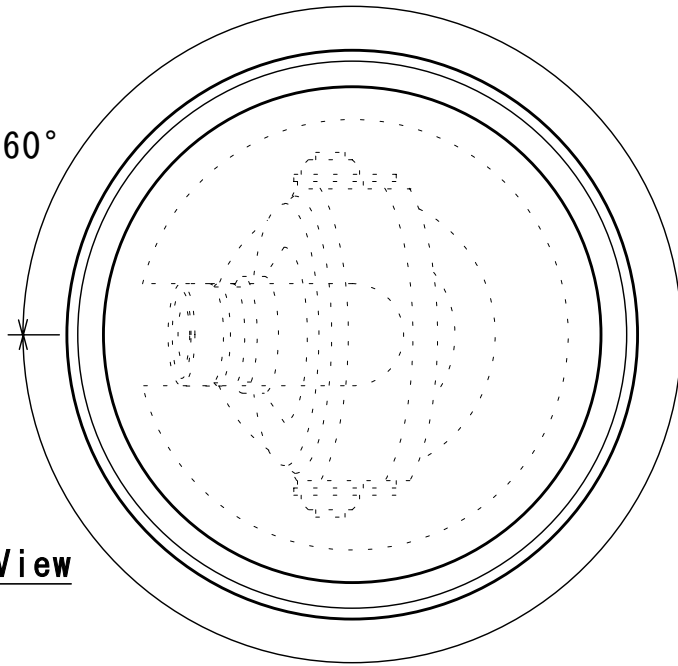
| | |
|----------------------------|---|
| Model | WAT-207CD (NTSC, PAL) |
| Pick-up element | 1/4inch Interline transfer CCD image sensor |
| Number of total pixels | 537(H) × 505(V) (NTSC); 537(H) × 597(V) (PAL) |
| Number of effective pixels | 510(H) × 492(V) (NTSC); 500(H) × 582(V) (PAL) |
| Unit cell size | 7.15 μm(H) × 5.55 μm(V) (NTSC); 7.3 μm(H) × 4.7 μm(V) (PAL) |
| Scanning system | 2:1 interlace |
| Synchronizing system | Internal |
| Video output | Composite Video, 1Vp-p, 75ohm Unbalanced |
| Resolution(Horizontal) | 320TV lines(center) |
| Minimum illumination | 3.0 lx. F2.0 |
| Gamma correction | $\gamma \cong 0.45$ |
| AGC | 5~24dB |
| S/N Ratio | 46dB (AGC OFF) |
| White balance | Automatic |
| Electronic iris | 1/60 ~ 1/100000 sec. (NTSC), 1/50 ~ 1/100000 sec. (PAL) |
| Standard lens | Glass, f3.8mm, F2.0 |
| Installation screw | 3- φ3.5mm |
| Connection terminal | Video out(BNC), Power |
| Power supply | DC +6.0~7.5V |
| Current | max. 260mA |
| Operating temperature | -10°C ~ +40°C |
| Storage temperature | -30°C ~ +70°C |
| Dimensions | 78.0(φ) × 58.0(L)mm |
| Weight | Approx. 120g |
| Accessories | Power supplies (AD-603) |

【DIMENSIONS】 (mm)



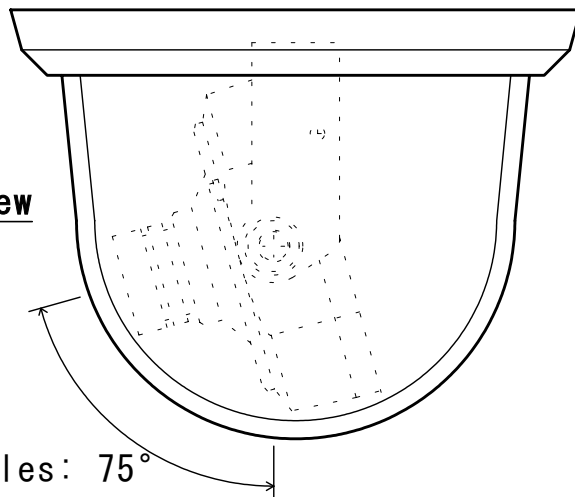
【camera angles】

Pan angles: 360°



Bottom View

Side View



Tilt angles: 75°